

## CAMERA DOME HOUSING FITTING MANUAL

### [1] MAKE THE HOLE ON THE CEILING BOARD

1. Make a hole on the ceiling board as shown in above figure. (Fig. -1)
2. The diameter  $\varnothing$  of the hole is 158mm.

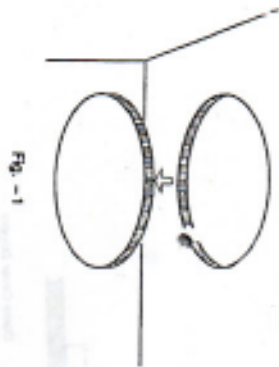


Fig. -1

\* In case of the thickness of the ceiling board is 9mm

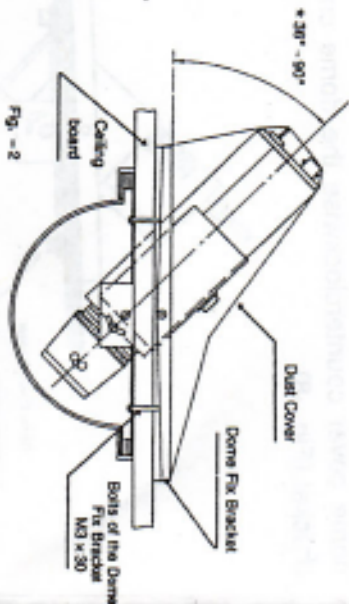


Fig. -2

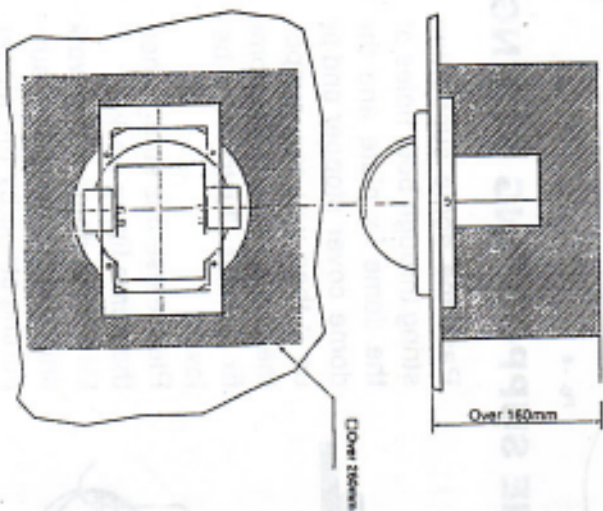


Fig. -3

3. In case of the thickness of the ceiling board is over 25mm, please use the other bolts which are 10mm longer than thickness of the ceiling board. (Fig. -2)
4. Attention to the setting place
  - ⊕ Please be clear within the limits of the part which surrounded by oblique lines. (Fig. -3)
  - ⊕ If the in side of the dome camera housing is light, shade a light.

### [2] THE PROCESS OF THE FITTING

1. Put the dome fix bracket with in the dust cover into the ceiling through the hole, and place it on the ceiling board. (Fig. -4)

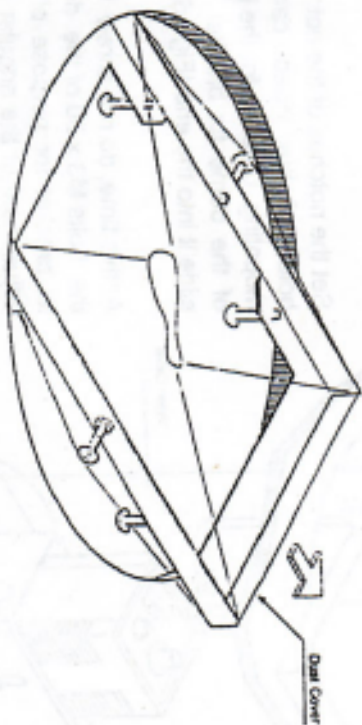


Fig. -4

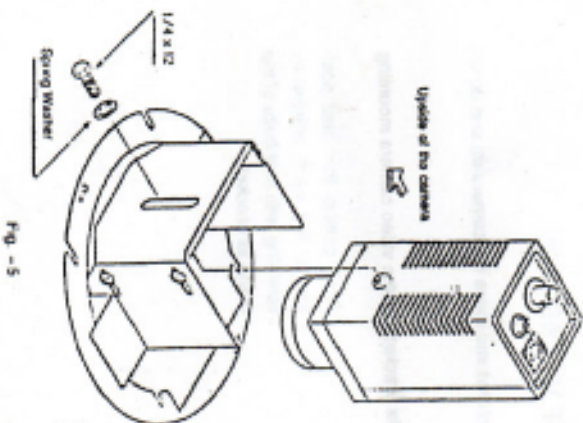


Fig. -5

2. Mount the video camera on the video camera mounting parts by screwing with the camera mount bolt 1/4" x 12 and spring washer which are attached. (Fig. -5)

### 3. CONNECT THE VIDEO CABLE WITH THE CAMERA

First of all, connect the video cable with the camera.

Set the notches of the notching holes of the video camera mounting bracket for the bolts of the dome fix bracket, and slide it into the end. (Fig. -6)

At this time, do not screw tight the bolts M3 x 30 of the dome fix bracket for purpose of the adjustment of the angular field of view.

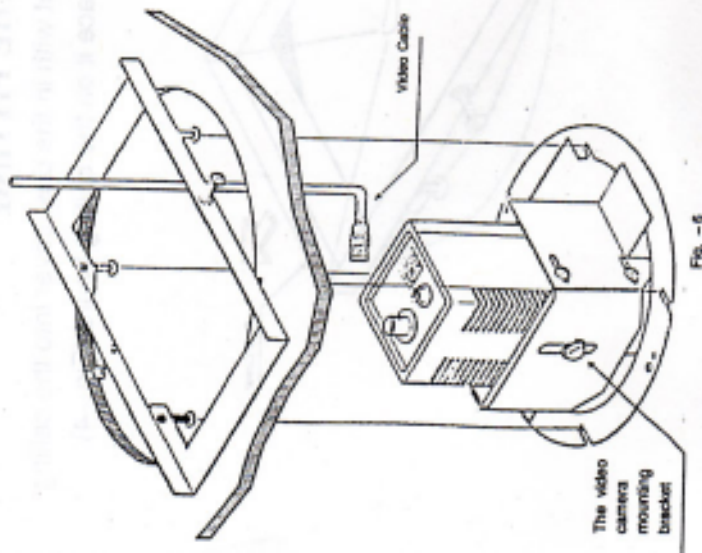


Fig. -6

### 4. ADJUSTMENT OF THE ANGULAR FIELD OF VIEW

#### ① VERTICAL ANGULAR FIELD OF VIEW:

Unfasten the tilting fix bolts of the video camera mounting bracket, and move the camera up and down, after adjust the angular field of view, lock the tilting fix bolts.

#### ② HORIZONTAL ANGULAR FIELD OF VIEW:

Adjust the horizontal angular field of view turning the dome fix bracket and the video camera mounting bracket to the clockwise or the counterclockwise.

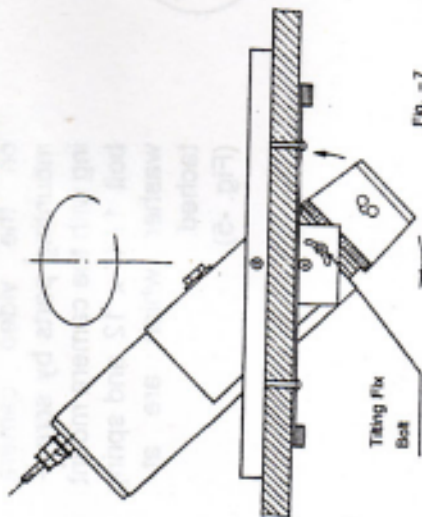


Fig. -7

5. Finishing above works, cover the dome fix bracket and video camera by the dome cover. Set the clear part of dome cover to the place where slided about 45° to right side from the light axis. And then turn the dome cover counterclockwise, the dome cover fixed to the dome fix bracket. (Fig. -8)

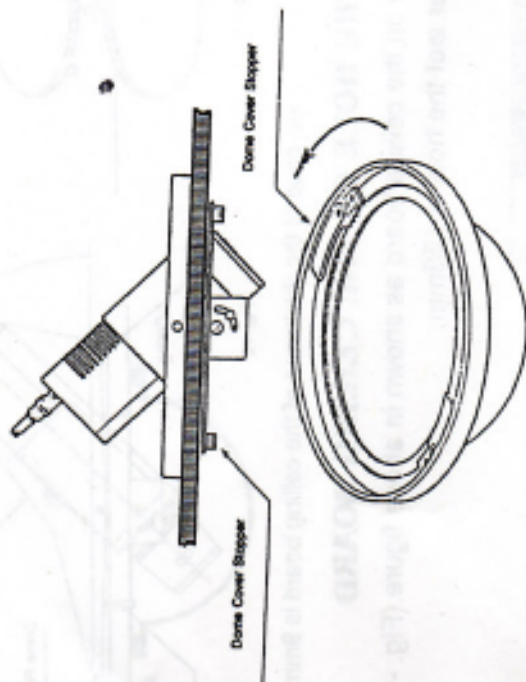


Fig. -8

## HOW TO USE THE DOME SUPPORTING STRING

Pass the dome supporting string through both holes of the dome fix plate and the dome cover stopper and tie up it, then you can support the dome cover to the dome fix plate, as illustrated in below:

Please use this string when the dome fitting work. When the dome fitting work finished, cut the dome supporting string by the aipper, and remove it.

